

## Pneumatický pohon, dvojitý

PA\_AT32



- Materiál: extrudovaný hliník / bezproudově pokovené části rezistentní proti vnitřní i vnější korozi, detailní materiálové složení viz níže
- Ve shodě s normami ISO5211, DIN3337, VD/VD3845 a NAMUR
- Tlak: 0.2-0.8 MPa (2-8 bar)
- Připojení: 2x G 1/8"
- Provozní medium: suchý nebo olejem obohacený vzduch
- Minimální teplota ovládacího vzduchu -20°C
- Provozní teplota standardní: -20°C až +80°C

WATER4LIFE s.r.o.

Prušánky 352

696 21 Prušánky

Czech Republic

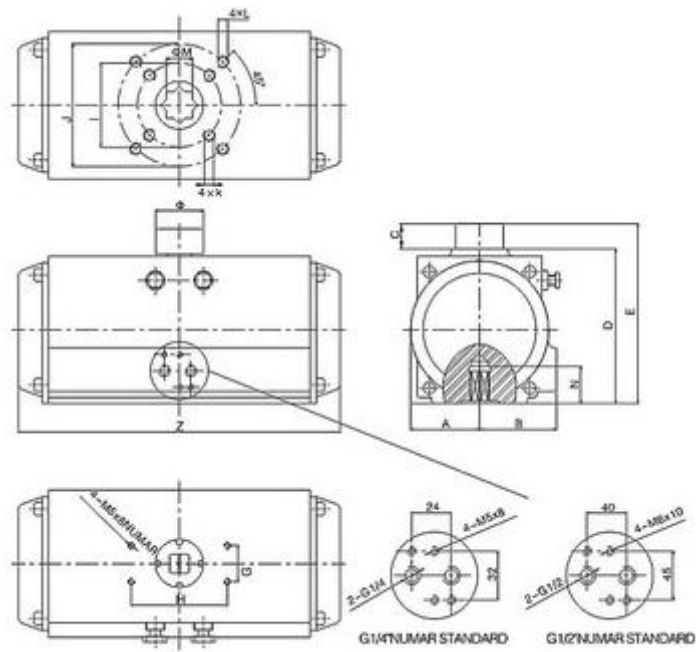
E-mail: [info@water4life.cz](mailto:info@water4life.cz)

Tel: +420 739 518 466

VAT number: CZ 29289971

Reference number: C 71338, kept by the Regional Court in Brno, Czech Republic





|      | A    | B    | C  | D  | E  | G  | H  | I | J   | K | L    | M   | N  | Z   | Φ  |            |
|------|------|------|----|----|----|----|----|---|-----|---|------|-----|----|-----|----|------------|
| AT32 | 22.5 | 22.5 | 20 | 45 | 65 | 30 | 50 | - | F03 | - | M5×8 | 9×9 | 15 | 126 | 34 | NAWURG1/8" |

WATER4LIFE s.r.o.

Prušánky 352

696 21 Prušánky

Czech Republic

E-mail: info@water4life.cz

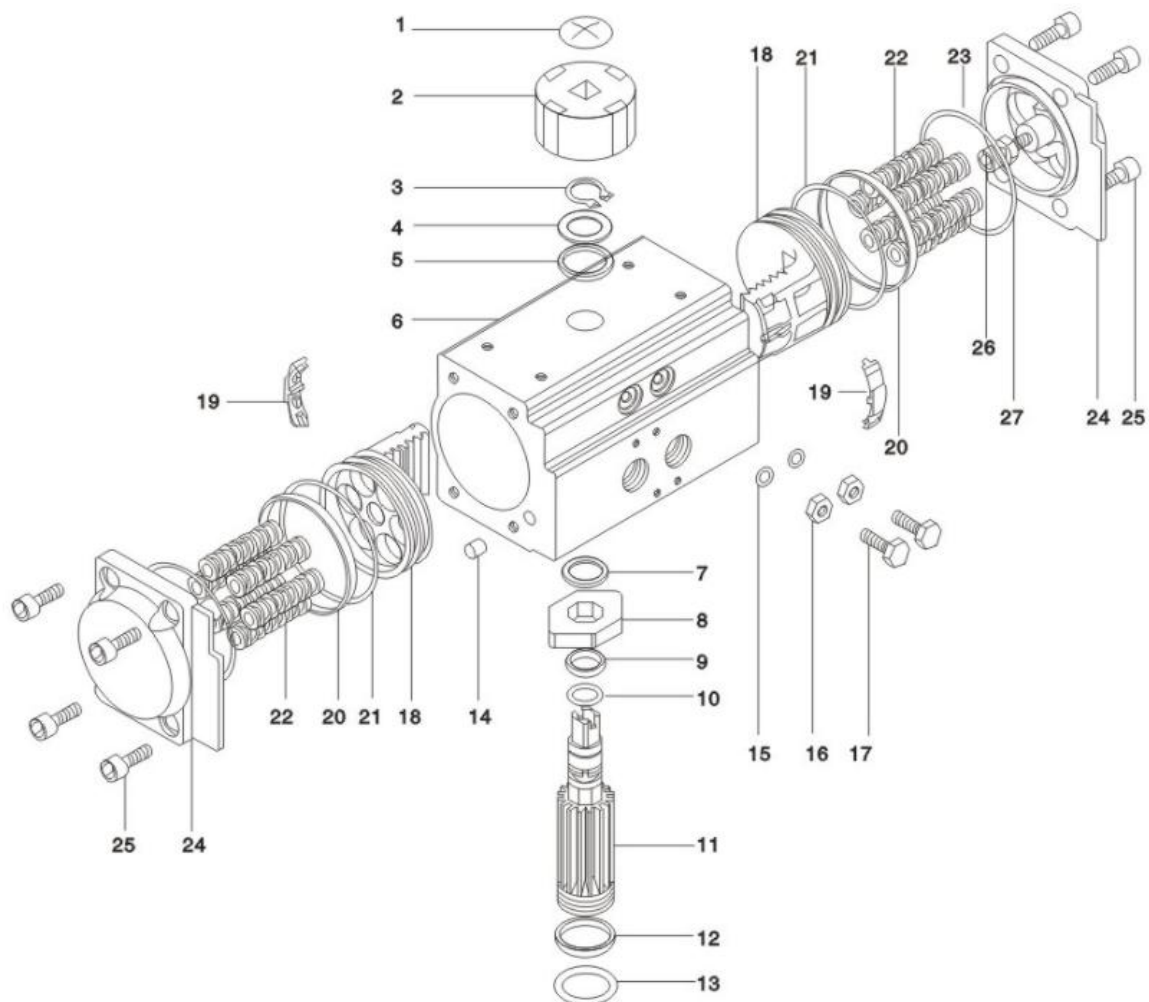
Tel: +420 739 518 466

VAT number: CZ 29289971

Reference number: C 71338, kept by the Regional Court in Brno, Czech Republic



Podrobné materiálové složení:



WATER4LIFE s.r.o.

Prušánky 352

696 21 Prušánky

Czech Republic

E-mail: info@water4life.cz

Tel: +420 739 518 466

VAT number: CZ 29289971

Reference number: C 71338, kept by the Regional Court in Brno, Czech Republic



| NO. | Name                   | Quantity | Material              | Embalmed               | Optional materials                |
|-----|------------------------|----------|-----------------------|------------------------|-----------------------------------|
| 1   | Indicator Screw        | 1        | stainless steel       |                        |                                   |
| 2   | Indicator              | 1        | Plastic               |                        |                                   |
| 3   | Kahuang                | 1        | stainless steel       |                        |                                   |
| 4   | Washer                 | 1        | stainless steel       |                        |                                   |
| 5*  | Outer gasket           | 1        | Engineering Plastics  |                        |                                   |
| 6   | Cylinder               | 1        | Aluminum              | Hard oxidation, etc.   |                                   |
| 7*  | Inner gasket           | 1        | Engineering Plastics  |                        |                                   |
| 8   | Cam                    | 1        | Alloy steel           |                        |                                   |
| 9*  | shaft bearing          | 1        | Engineering Plastics  |                        |                                   |
| 10* | O-ring on the shaft    | 1        | Nitrile rubber        |                        | Fluorine rubber / silicone rubber |
| 11  | Pinion                 | 1        | Alloy steel           | Nickel-plated          | stainless steel                   |
| 12* | lower shaft bearing    | 1        | Engineering Plastics  |                        |                                   |
| 13* | Under axis O ring      | 1        | Nitrile rubber        |                        | Fluorine rubber / silicone rubber |
| 14* | Plug                   | 2        | Nitrile rubber        |                        | Fluorine rubber / silicone rubber |
| 15* | Adjusting screw O ring | 2        | Nitrile rubber        |                        | Fluorine rubber / silicone rubber |
| 16  | Adjusting screw nut    | 2        | stainless steel       |                        |                                   |
| 17  | Adjusting bolt         | 2        | stainless steel       |                        |                                   |
| 18  | Piston                 | 2        | Aluminum / cast steel | Oxidation / galvanized | stainless steel                   |
| 19* | Support ring           | 2        | Rubber                |                        |                                   |
| 20* | Piston bearing         | 2        | Rubber                |                        |                                   |
| 21* | Piston O ring          | 2        | Nitrile rubber        |                        | Fluorine rubber / silicone rubber |
| 22  | Spring                 | 0~12     | Spring steel          | Varnish                |                                   |
| 23* | Cover O-ring           | 2        | Nitrile rubber        |                        | Fluorine rubber / silicone rubber |
| 24  | Cover                  | 2        | Aluminum              | Powder painting, etc.  |                                   |
| 25  | Cover bolt             | 8        | stainless steel       |                        |                                   |
| 26  | Limit bolt             | 2        | stainless steel       |                        |                                   |
| 27  | Stop nut               | 2        | stainless steel       |                        |                                   |

WATER4LIFE s.r.o.

Prušánky 352

696 21 Prušánky

Czech Republic

E-mail: info@water4life.cz

Tel: +420 739 518 466

VAT number: CZ 29289971

Reference number: C 71338, kept by the Regional Court in Brno, Czech Republic

